

Large Payloads Robot

ER180-4-3200

ER180-4-3200 is a large payloads robot.
Maxium payload 180 kg with maxium reach 3200 mm.

Highlights

Thanks to the excellent stiffness of the robot with sufficient arm span and high-speed intelligent palletization process package, the takt is improved by 15%, bring customers more efficiency;
Multiple specific application software could be integrated, with soft PLC and a variety of field bus interface, which enable customers easily face various application challenges;
High performance collision detection function helps safety realization.

Applications

It can be widely used in handling, machine tending, palletizing and other applications.

Industries

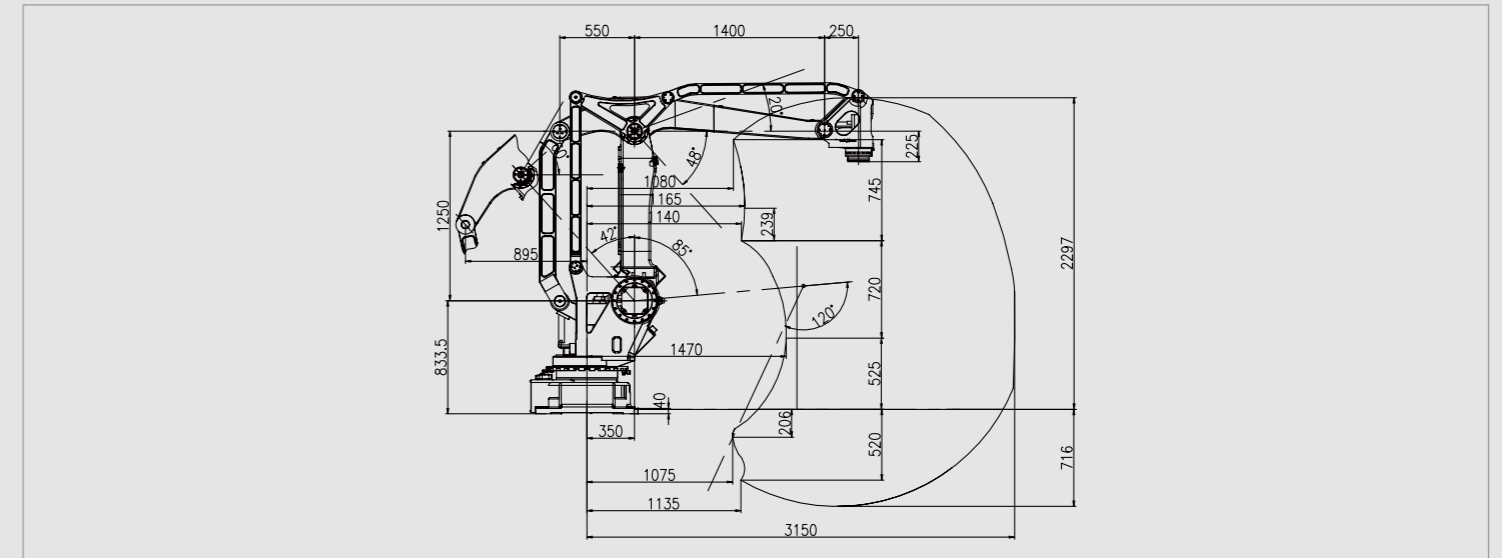
Suitable for metal parts, photovoltaic, logistics, cement, food and beverage, and other industries.



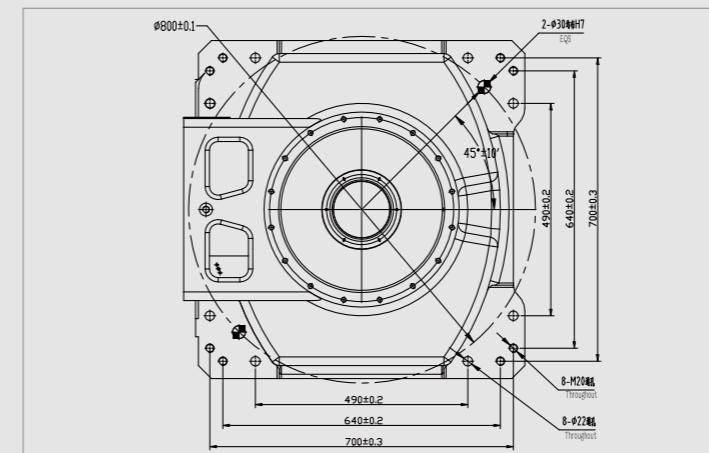
SPECIFICATIONS

Model	ER180-4-3200	Drive Method	Electric servo drive by AC servo motor	
Type	Articulated Type	Installation	Floor, Ceiling	
Controlled Axes	4 Axes	Allowable Torque	J4 80 N.m	
Wrist Payload	180 kg	Maximum Speed	J1 104°/sec	
Repeatability	±0.2 mm		J2 104°/sec	
Robot Weight	1500 kg		J3 104°/sec	
Reach	3200 mm		J4 210°/sec	
Robot IP Grade	IP40	Motion Range	J1 ± 175°	
Cabinet IP Grade	IP43		J2 +40°/-86°	
Environment Requirements	Ambient Temperature		0~45 °C	J3 +60°/-52°
	Humidity		< 75%RH (No Condensation)	J4 ± 360°
	Vibration Acceleration		4.9 m/s ² (< 0.5 G)	J2+J3 -106° < (J2+J3) < +23°

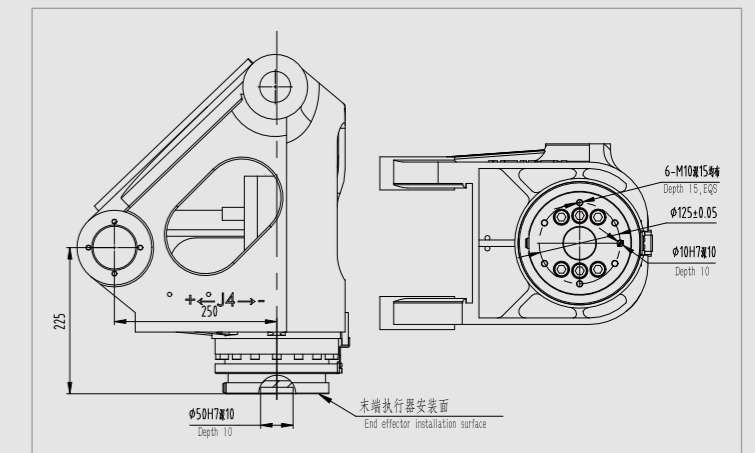
OPERATING SPACE



BASE MOUNTING SIZE



END FLANGE MOUNTING SIZE



EFORT INTELLIGENT EQUIPMENT CO.,LTD.

PHONE: (00 86) 400-052-8877

ADDRESS: No.96 East WanChun Road, JiuJiang Economic

Development Zone, Wuhu, Anhui, China

WWW.EFORT.COM.CN